



Model: FPWE F2.1

---

---

# Electric Pressure Washer OPERATOR'S MANUAL



[www.fordpower.cc](http://www.fordpower.cc)

# TABLE OF CONTENTS

<b>Introduction</b> .....	3
<b>Safety Rules</b> .....	4
Safety Symbols .....	4
Safety Instructions .....	4
<b>Safety Features and Electrical Info</b> .....	7
Auto Stop .....	7
Extension Cords .....	8
<b>Pressure Washer Features</b> .....	9
Unpacking.....	9
<b>Assembly</b> .....	10
Attach Storage Hook .....	10
Attach High Pressure Hose to Spray Gun .....	10
Attach Spray Nozzle .....	10
Attach Hoses to Pressure Washer .....	11
<b>Operation</b> .....	12
Pre Operation Check List .....	12
Purging the Pump of Air .....	12
Starting Pressure Washer .....	12
Stopping Pressure Washer .....	13
Spray Gun Safety Lock.....	13
Adjusting Water Stream Pressure .....	13
Cleaning Tips .....	14
Using Detergent .....	15
End of Each Use .....	16
Winterizing and Long-Term Storage.....	16
<b>Maintenance</b> .....	17
<b>Troubleshooting</b> .....	18



## SAVE THIS MANUAL FOR FUTURE REFERENCE

This manual contains important information regarding safety, operation, and maintenance.

# INTRODUCTION

*Thank you for purchasing this superior quality pressure washer from Ford Power Equipment. When operating and maintaining this product as instructed in this manual, your pressure washer will give you many years of reliable service.*

## Product Specifications:

Model	FPWE F2.1
Main Voltage	220V-240V
Main Frequency	50Hz
Max Operating Pressure	150bar
Motor Type	Universal
Pump Type	Axial Cam
Rated Water Consumption	6L/min
Required Water Inlet Pressure	40-80PSI
Max Water Temperature	40-140°F (5-60°C)
Weight	26.4lbs

## Product Applications:

- This pressure washer is designed to remove dirt and mold from house siding, decks, garage floors, brick patios, and cement walkways.
- This unit can be used to clean cars, motorcycles, boats, RV's, outdoor furniture, power equipment, lawn equipment, and grills.

## How to contact us:

To order parts, receive warranty assistance, or other services inquiries, you can contact us by local authorised distributor.

Record the following information below for service or warranty assistance.

Date of Purchase:	
Model Number:	
Serial Number	

# SAFETY RULES

## Safety Symbols



**WARNING!**

Indicates a potentially hazardous situation which could result in serious injury or death if not avoided.



**CAUTION!**

Indicates a potentially hazardous situation which could result in damage to equipment or property.



Slippery surface



Risk of electric shock



Risk of fire



Eye protection

## Safety Instructions

Safety precautions are essential when any mechanical equipment is involved. These precautions are necessary when using, storing, and servicing this pressure washer. Using this equipment with the respect and caution demanded will considerably lessen the possibilities of personal injury. If safety precautions are overlooked or ignored, personal injury or property damage may occur. The manufacturer cannot anticipate every possible hazardous circumstance that the user may encounter. Therefore, the warnings in this manual, on tags, and on affixed decals are not all-inclusive. To avoid accidents, the user must understand and following all manual instructions and use common sense.



**WARNING!**

**Read and understand this manual in its entirety before attempting to assemble or operate this pressure washer.**

- Improper use of this pressure washer could result in serious injury or death.
- Know how to stop this product immediately and be thoroughly familiar with the controls.
- Follow the maintenance instructions specified in this manual.
- For questions about this product, contact local authorised distributor.



**WARNING!**



**Never spray near a power source such as an electrical outlet or wiring. Making contact with a power source could cause an electric shock or burn.**

- Keep all connections dry and off the ground. Never let electrical connections rest in water.
- Never operate the pressure washer while standing in water.
- Never touch the electric plug with wet hands.



**WARNING!**



**Check power cords before using. Damage cords can reduce performance of pressure washer or cause fatal electric shock.**

- Never carry your pressure washer by the cord. Do not pull on the cord to disconnect from outlet.
- To prevent damage, the cord should not be crushed, placed next to sharp objects, or near a heat source.
- This product is provided with a Ground Fault Circuit Interrupter built into the power cord plug. If replacement of the plug or cord is needed, use only identical replacement parts.
- Never use an extension cord unless plugged in to a socket protected receptacle as this will cancel out the protection of the socket and increase chances of electrocution.
- Disconnect power plug from the outlet when not in use and prior to detaching high pressure hose.

# SAFETY RULES



## WARNING!

**Stay alert and use common sense. Do not operate this unit if you are under the influence of alcohol, drugs, medication or if you feel tired.**



## WARNING!



**Pressure washer can create puddles and slippery surfaces.**

- Surfaces are slippery when wet, especially when using a detergent. To prevent slippery surfaces, the work area should have sufficient drainage.
- Never wear sandals, always wear protective footwear.
- Operate pressure washer from a level and stable surface.
- Do not operate from a ladder, scaffolding, or uneven surface as recoil from spray gun could cause you to fall.
- Use both hands to control spray gun to control recoil.
- Do not over-extend yourself in attempt to reach a little further.



## WARNING!

**Never operate this unit if there are any broken or missing parts and only use Ford Power Equipment replacement parts specifically designed for this unit.**

- Never operate pressure washer unless all components are connected properly and securely. Make sure the spray gun, nozzle, and accessories are attached correctly.
- Improper treatment of pressure washer can damage unit and shorten its life.
- Always repair this unit as specified in this manual. If you have any questions contact your dealer or consult a qualified service center.
- Never modify this unit in any way or modify governed speed.



## WARNING!

**Only use this unit as it is intended or serious injury or death could result.**

- Do not bypass any safety device. Moving parts are covered with guards. Make sure all protective covers are in place.
- Inspect hoses and connections making sure they are secure before starting engine.
- Use only recommended accessories to avoid damage to this unit.
- Never transport or make adjustments to this unit while it is running.



## WARNING!



**Use indirect vented safety goggles designed for wet conditions to protect eyes from injury.**

- Spray from this unit has extreme pressure and can ricochet back splashing water or propelling objects towards eyes.
- Never substitute eye protection with dry condition goggles.



## WARNING!

**To reduce the risk of injection, injury or possible amputation, never direct water pressure towards people or pets.**

- The high pressure water stream produced can cut through skin and underlying tissue. Never squeeze the trigger or point the spray gun at other people, animals, plants, or fragile objects such as glass, even if the engine is stopped.
- Never touch the nozzle or water spray while operating.
- This unit is not a toy. Keep unit away from children and pets.
- To control direction of the high pressure stream, always use two hands to hold the high pressure gun and wand.
- Do not leave pressure washer unattended while the power switch is on.
- Point the spray gun in a safe direction whenever turning the power supply on or off.
- To protect from accidental discharge, the spray gun should be secured by locking the trigger when not in use.

# SAFETY RULES



## WARNING!

**High pressure hose can develop leaks from kinking, wear, contact with sharp objects, or abuse. Never use a hose that is damaged.**

- Examine high pressure hose prior to each use. Due to the high pressure involved, never attempt to repair the high pressure hose, always replace.
- Keep hose away from sharp objects. Never tie knots or kink the high pressure hose.
- Do not disconnect the high pressure hose from the pressure washer or spray gun whenever the system is pressurized as this is dangerous and can result in injury.
- Never attempt to repair leaks with sealant, always replace O-ring or seal.



## WARNING!



**Do not use unit in areas where gas vapors may be present. An electric spark near combustible materials, dust, liquid, or fumes may result in a fire or explosion.**



## WARNING!

**Only use detergents or soaps that are safe to be used with pressure washers.**

- Carefully observe all chemical instructions and warnings before using.
- Chemicals which are caustic, such as acids, chlorine or bleach, can result in serious injury, property damage, damage to pressure washer, or death.
- Never use dish soap or laundry detergent which is too thick and will clog the nozzle of the detergent tank.
- Some detergents may be harmful if inhaled, contacted, or ingested. Use gloves and use a respirator mask designed for chemical protection to avoid injury. Follow product instructions carefully to ensure protection.



## WARNING!

**Do not operate or store this pressure washer in temperatures below 40°F. Freezing damage is not covered by this warranty.**

- To allow free air circulation, never cover pressure during operation.
- Do not use hot water with this pressure washer or it will overheat and could damage the pump.
- This pressure washer is intended for outdoor use only.
- Always store the pressure washer indoors to prevent water in the unit from freezing which will damage the pump.
- For storage, Pump Savor can be purchased to provide extra protection against freezing.



## WARNING!

**Do not operate the pump dry as it will damage internal components of the pump.**

- Always turn the water supply on before turning on the power supply to the pressure washer.
- Always turn the power supply to the pressure washer off before turning off the water supply.
- Never use a water supply that exceeds the max water supply pressure found on page 3.
- To minimize the amount of water getting into the pressure washer, the unit should be kept as far as possible from the cleaning site during operation.
- Do not use a water supply that is dirty, sandy, or containing corrosive chemicals as this will shorten the life of this unit.
- Always release water pressure from unit every time you stop the engine.



## WARNING!

**Moving parts can catch on clothing, jewelry, and hair.**

- Do not wear loose clothing or gloves.
- Remove jewelry or anything else that could be caught in moving parts.
- Tie back or wear protective head covering to contain long hair.

# SAFETY FEATURES AND ELECTRICAL INFO

## ADVERTENCIA

RIESGO DE ELECTROCUCION  
LEER EL MANUAL DE INSTRUCCIONES ANTES DE USAR

A falta de seguir todas las instrucciones y advertencias pueden causar a la unidad, daños a la propiedad o lesiones personales graves o incluso la muerte.  
El motor contiene piezas azo, mantenga el motor como mínimo de 6 m (18 pies) de distancia de vapores explosivos.  
Riesgo de explosión, no rocíe líquidos inflamables.  
Inspeccione si el cable de alimentación antes de su uso, no utilizar si está dañado.  
Mantenga todas las conexiones secas sobre la tierra. No toque enchufe o cable con las manos mojadas.  
Conectar a cada sucursal solo en circuito.  
RIESGO DE LESIONES DE INYECCION - Nunca rizar a los personas, los animales, o en el lavado a presión.  
ALTA PRESION - Manténgase alejado de la boquilla.  
No rocíe aparato eléctrico y/o el cableado.  
Doble aislamiento - Cuando se realice el servicio usar solo piezas de cambio idénticas.

PRECAUCION: LA PISTOLA DE ASPERSION MANTENGA CON ALACANDE MANOS MOJADAS. MANTENER FUERA DEL ALCANCE DE LOS NIÑOS. UTILIZAR CABLES DE ALIMENTACION APROPIADOS PARA ESTE.  
SI ESTA CONECTADO AL CIRCUITO PROTEGIDO POR FUSIBLES, USAR EL TIEMPO DE REMORALOS FUSIBLES CON LA MARCADA.

ADVERTENCIA, SI SE CONECTA A UN SISTEMA DE AGUA POTABLE, EL SISTEMA DEBE ENTAR.

PROTEGIDO CONTRA EL FLUJO, NO QUITAR LAS ETIQUETAS DELA ARANDELA DE PRESION O CABLE

NO ALMACENE LA MAQUINA O ACCESORIOS EN UN LUGAR DONDE LA TEMPERATURA PUEDE CAER POR DEBAJO DE 40° F (4.5° C)

NO QUITE LA ETIQUETA

## WARNING

RISK OF ELECTROCUTION  
READ INSTRUCTION MANUAL  
BEFORE USING

Failure to follow all instructions and warnings may cause damage to unit, property damage or serious personal injury or even death.  
Motor Contains arcing parts, keep the motor at least 6m (18ft) away from explosive vapors.  
Risk of explosion, do not spray flammable liquids.  
Inspect the power cord before using, do not use if damaged.  
Keep all connections dry and off the ground.  
Do not touch plug or cord with wet hands.  
Connect to individual branch circuit only.  
RISK OF INJURY OR INJECTION - Never direct the spray at persons, animals, or at the Pressure Washer.  
HIGH PRESSURE - Keep clear of nozzle.  
Don't tool spray electrical apparatus and/or wiring.  
Double insulated - When servicing use only identical replacement parts.  
CAUTIONS: GUN SPRAY GUN KICK BACK, HOLD WITH TWO HANDS, KEEP AWAY FROM CHILDREN USE SUPPLY WIRES SUITABLE FOR 75° F. IF CONNECTED TO A CIRCUIT PROTECTED BY FUSES, USE TIME-DELAY FUSES MARKED D.

WARNING: IF CONNECTING TO A POTABLE WATER SYSTEM, THE SYSTEM SHOULD BE PROTECTED AGAINST BACKFLOW.  
DO NOT REMOVE THE TAGS OR LABELS FROM THE PRESSURE WASHER OR GUN.

DO NOT STORE THE MACHINE OR ACCESSORIES IN A PLACE WHERE TEMPERATURE COULD DROP BELOW 40° F (4.5° C)

DO NOT REMOVE LABEL



## OPERATING INSTRUCTIONS, READ INSTRUCTION MANUAL FOR MORE DETAILED INSTRUCTIONS!

To Start

1. Turn the water on briefly to clean out any debris that may have collected in the garden hose before connecting the hose to the pressure washer.
2. Connect the Garden Hose water supply to pump inlet.
3. Connect the High Pressure Hose to Pressure Washer and then to the Spray Gun.
4. Turn on the water supply.
5. Connect the wand to the spray gun and select the desired nozzle spray pattern.
6. Connect the electrical plug to the power outlet. Connect only to properly grounded outlet.
7. Press the "ON" button on pressure washer.  
(Note: machine will momentarily start, then stop)
8. Depress trigger on the spray gun to start operating the pressure washer.
9. To turn off Press the "OFF" button on pressure washer. Turn off the water supply and depress spray gun trigger to relieve the pressure in the hose.
10. Keep all connections dry and off the ground.
11. Disconnect the electrical cord from the power supply.
12. Disconnect the high-pressure hose.  
Do not touch plug with wet hands.

## CONSIGNES D'UTILISATION, LE GUIDE DE L'UTILISATEUR CONTIENT DES CONSIGNES PLUS DÉTAILLÉES!

Pour Démarrer

1. Avant de brancher le tuyau de jardin à la laveuse a pression, ouvrir le robinet d'eau brièvement pour évacuer les débris qui ont pu s'accumuler dans le tuyau.
2. Brancher le tuyau de jardin à l'orifice d'admission de la pompe.
3. Brancher le tuyau haute pression à la laveuse a pression, puis au pistolet d'arrosage.
4. Ouvrir le robinet d'alimentation en eau.
5. Brancher la lance au pistolet, puis choisir la buse d'aspersion désirée
6. Brancher la lance
7. Appuyer sur la bouton de mise en marche (ON) de l'appareil.  
Celui-ci se mettra en marche quelques secondes, puis il s'arrêtera.
8. Appuyer sur le détente du pistolet pour mettre la laveuse a pression en marche.
9. Pour arrêter l'appareil, appuyer sur son bouton d'arrêt (OFF).
10. Fermer l'arrivée d'eau puis appuyer sur la détente du pistolet pour libérer la pression contenue dans le tuyau.
11. Les raccords doivent rester secs et ne pas toucher au sol.
12. Débrancher le cordon d'alimentation de la prise électrique.
13. Débrancher le tuyau haute pression.  
Ne pas toucher à la fiche électrique si on a les mains mouillées.

## INSTRUCCIONES DE FUNCIONAMIENTO, LEA EL MANUAL DE INSTRUCCIONES PARA INSTRUCCIONES MAS DETALLADAS

Para Empezar

1. Prenda el agua brevemente para limpiar la suciedad que se pueda haber acumulado en la manguera de jardín antes de conectar la manguera de la arandela de orosion.
2. Conectar la manguera de suministro de agua a la entrada de la bomba.
3. Conectar la manguera de alta presión para lavado a presión y, a continuación, a la pistola.
4. Encienda el suministro de agua.
5. Conectar la varilla a la pistola y seleccionar el patron de pulverizacion.
6. Conecte el enchufe eléctrico a la toma de alimentación.
7. Pulsar el botón "MARCHA" de lavado a presión.  
(Nota: la máquina momentaneamente inicio y a continuación, detener)
8. Pulsar el gatillo de la pistola de comenzar a operar la arandela de presión.
9. Para detasar Pulsar el botón "OFF" de la bomba.
10. Apagar el suministro de agua y pisar el gatillo de la pistola de la manguera.
11. Mantener todas las conexiones secas sobre el suelo.
12. Desconectar la manguera de alta presión.  
No toque con las manos mojadas.

## AVERTISSEMENT

RISQUE D'ELECTROCUTION  
LIRE LE GUIDE DE L'UTILISATEUR  
AVANT D'UTILISER CET APPAREIL

En consultant de respecter toutes les consignes et tous les avertissements, on risque d'endommager l'appareil, de provoquer des dommages matériels, de se blesser ou de se tuer.  
Le moteur contient des pièces qui forment des arcs électriques. Garder le moteur à au moins 6 m de toute émanation explosive.  
Risque d'explosion. Ne pas vaporiser des liquides inflammables.  
Vérifier l'état du cordon d'alimentation avant d'utiliser l'appareil. Ne pas l'utiliser s'il est endommagé.  
Les raccords doivent rester secs et ne pas toucher au sol.  
Ne pas toucher à la fiche ou au cordon si on a les mains mouillées.  
Brancher cet appareil uniquement à un circuit de dérivation individuel.  
RISQUE DE BLESSURE OU D'INJECTION. Ne jamais diriger le jet sur une personne. Un animal ou la laveuse à pression.  
HAUTE PRESION. Garder ses distances de la buse.  
Ne pas toucher des appareils ou des fils électriques.  
Isolation double. Toujours utiliser des pièces de rechange identiques.  
MISE EN GARDE: TENIR LE PISTOLET ET PARSERAGE A DEUX MAINS. IL A UN EFFET DE RECOIL. GARDER HORS DE LA PORTÉE DES ENFANTS.  
UTILISER DES FILS D'ALIMENTATION ADAPTES A UNE TEMPERATURE DE 24° C. SI L'APPAREIL EST BRANCHE A UN CIRCUIT A FUSIBLES, UTILISER DES FUSIBLES TEMPORISES DE TYPE (D).  
AVERTISSEMENT: CUL APPAREIL EST RACCORDE A UN RESEAU D'EAU POTABLE. LE RESEAU DOIT ETRE PROTEGE CONTRE LES REFLEX. NE PAS ENLEVER LES ETIQUETTES ET LES AUTO-COLLANTS S'IMES A L'APPAREIL QU'A SON CORDON D'ALIMENTATION.  
NE PAS REMISER L'APPAREIL ET SES ACCESSOIRES DANS UN ENDROT OÙ LA TEMPERATURE PEUT CHUTER SOUS 4.5° C.  
NE PAS ENLEVER CETTE ETIQUETTE

## WARNING

RISK OF ELECTROCUTION

1. Inspect cord before using-Do not use if cord is damaged.
2. Keep all connections dry and off the ground.
3. Do not touch plug with wet hands.
4. Read instructions manual before using.
5. Double insulated-When Servicing. Use Only Identical Replacement Parts.

DO NOT REMOVE THIS TAG

## ADVERTENCIA

RIESGO DE ELECTROCUCION

1. Inspeccione el cable antes de usar-No use si el cable esta danado.
2. Mantenga todas las conexiones secas y lecantadas del selo.
3. No toque enchufe con las manos majadas.
4. Lea el manual de instrucciones antes de la utilizacion.
5. Doble aislamiento-Durante el mantenimiento use solo piezas de recambio idénticas.

NO QUITE LA ETIQUETA

# 150Bar

## ELECTRIC PRESSURE WASHER

LAVEUSE À PRESSION ÉLECTRIQUE  
LAVADORA A PRESIÓN ELÉCTRICA

### FPWE F2.1

## Automatic Stop

The pressure washer is equipped with a device which will sense when the trigger on the gun is released. It will open the power circuit to the motor and cause the pressure washer motor pump to stop running. The motor pump will begin running again when the trigger is pulled. This is normal operation.



**WARNING!**

If Automatic Stop fails to operate, **DO NOT USE THE MACHINE.** Contact our Customer Service department. Further use will damage the machine and/or cause personal injury.

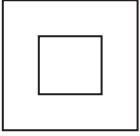


**WARNING!**

The main power ON/OFF switch should always be moved to the "OFF" position when the pressure washer is not being used to prevent possible injury or damage.

## SAFETY FEATURES AND ELECTRICAL INFO

### Servicing a Double-Insulated Appliance



In a double-insulated product, two systems of insulation are provided instead of grounding. No grounding means is provided on a double-insulated product, nor should a means for grounding be added to the product. Servicing a double-insulated product requires extreme care and knowledge of the system, and should be done only by qualified personnel. Replacement parts for a double-insulated product must be identical to the parts they replace. A double-insulated product is marked with the words “DOUBLE-INSULATION” or “DOUBLE-INSULATED”. The shown symbol may also be marked on the product.

### Extension Cords

Extension cords are not recommended unless they are plugged into a receptacle protected by a Ground Fault Circuit Interrupter. Any extension cord used must be 12 AWG outdoor with maximum length of 25 feet to prevent excessive voltage loss. Use only extension cords that are intended for outdoor use. These extension cords are identified by a marking “Acceptable for use with outdoor appliances; store indoors when not in use”. Use only extension cords having an electrical rating not less than the rating of the product. Do not use damaged extension cords. Examine extension cord before using and replace if damaged. Do not abuse extension cord and do not yank on any cord to disconnect. Keep cord away from heat and sharp edges. Always disconnect the extension cord from the receptacle before disconnecting the product from the extension cord.

When using an extension cord, observe the specification below:

Cable length - Up to 25 ft.

Wire Gauge - 12 AWG Outdoor



**WARNING!**



**To reduce the risk of electrocution, keep all connections dry and off the ground. Do not touch plug with wet hands.**

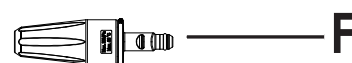


# PRESSURE WASHER FEATURES

## Unpacking

1. Remove the product, parts, and all accessories. Make sure all items listed on the packing list are included and not damaged.
2. If unable to lift product, remove the high pressure hose from box then carefully open product by cutting down the sides of the box.

- A - Handle
- B - Spray Gun
- C - High Pressure Hose
- D - 3 in 1 Selectable Nozzle Lance
- E - Pump to Garden Hose Connector
- F - Turbo Nozzle
- G - Detergent Tank
- H - Accessories Holder
- I - Patio cleaner
- J - Wedge brush



Note - Phillips Screwdriver required for assembly (not included)



**WARNING!**

Do not attempt to assemble or operate this pressure washer until you have read and understood this entire manual. If you have any problems assembling or operating this unit contact your dealer or a qualified service center.

# ASSEMBLY

## Step 1 - Attach Handle

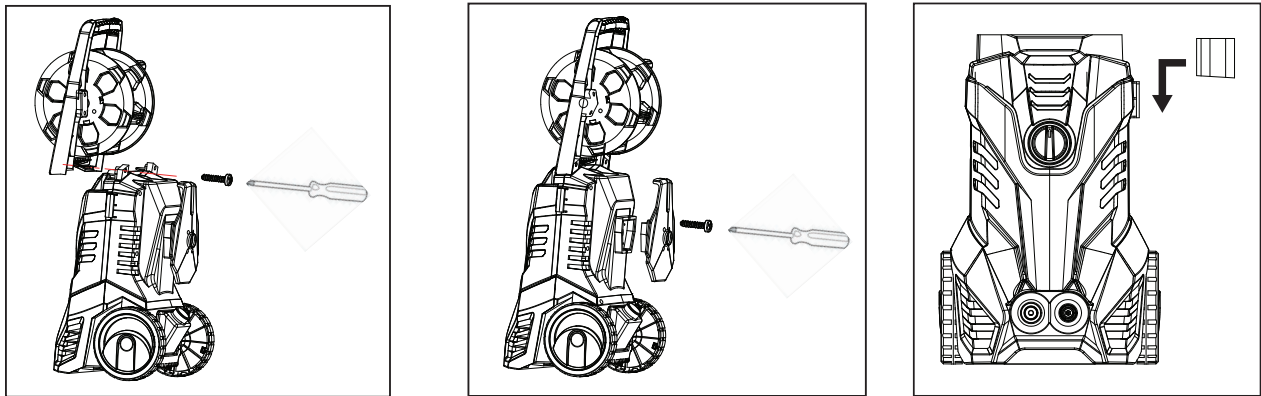
Align the holes of the Hand handle to the holes in the back of the machine. Fasten the Hand handle to the back of the pressure washer using the 2 supplied screws and a Phillips screwdriver (not supplied).

## Step 2 - Attach Storage Hook

Align the holes of the storage hook to the holes in the back of the machine. Fasten the storage hook to the back of the pressure washer using the 4 supplied screws and a Phillips screwdriver (not supplied).

## Step 3 - Attach gun holder

Attach gun holder on the main frame



## Step 4 - Attach High Pressure Hose to Spray Gun

To attach the spray gun to the high pressure hose, unlock the coupler located on the spray gun by sliding it into position "A". Attach the high pressure hose, then lock the spray gun to the high pressure hose by pushing the coupler to position "B". To confirm the high pressure hose is locked into the spray gun, pull gently on the hose.



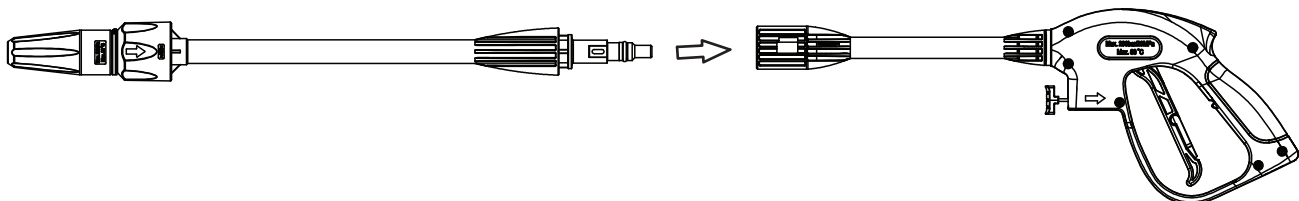
**CAUTION!**

The hose reel is only for storing the high pressure hose. The high pressure hose must be completely removed from the storage reel each time you use this pressure washer.



## Step 5 - Attach Spray Nozzle

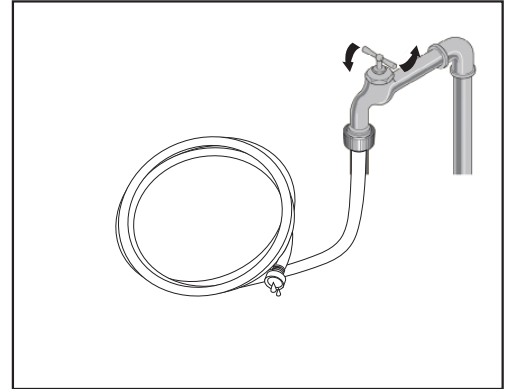
Insert the adjustable spray nozzle into the spray gun. Turn the adjustable nozzle clockwise until it is hand tight and it locks in place. To confirm that spray nozzle is locked into the spray gun, gently attempt to pull the two components apart. The components should remain locked together.



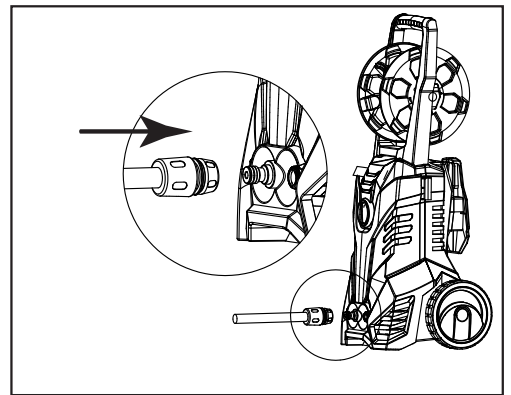
# ASSEMBLY

## Step 6 - Attach Hoses to Pressure Washer

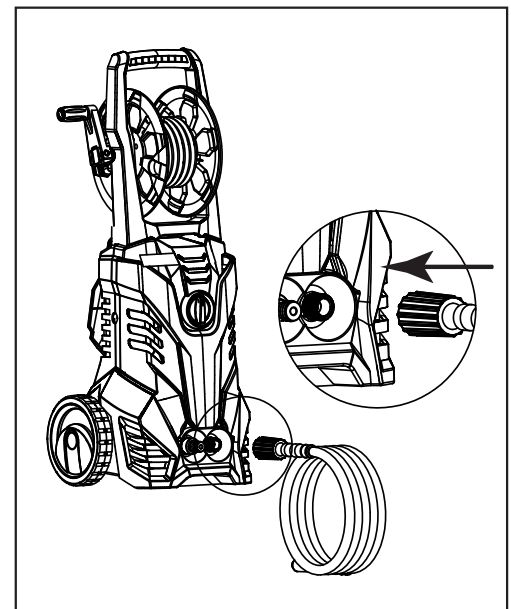
- Connect the garden hose to a water supply and turn the water on for a few seconds to flush out any debris that may have collected in the hose.



- With the water supply turned off, connect the garden hose to the hose inlet on the front of the machine.



- Attach the opposite end of the high pressure hose to the pump outlet.



- Turn water supply back on.



**Never connect the pressure washer to a hot water supply. Hot water will destroy the pump and overheat the motor and void the warranty.**

# OPERATION



## WARNING!

Do not operate this pressure washer if any of the parts are damaged or missing until the part is replaced. Using this product with damaged or missing parts can cause damage to the machine or result in serious injury or death.

## Pre-Operation Check List

- Read and understand this operator manual in its entirety before operating pressure washer.
- Attach high pressure hose and spray gun. Check the connections to make sure they are secure.
- Unwind the high pressure hose completely.
- Check all hoses for kinks and damage.
- Flush garden hose. Check flow of water supply and make sure it is adequate.
- Purge the system's pump of air by releasing the safety and squeezing the trigger of the spray gun.
- Plug the socket into the Power Receptacle. Press and release the test button, then press the reset button. This must be done each time the unit is plugged in.

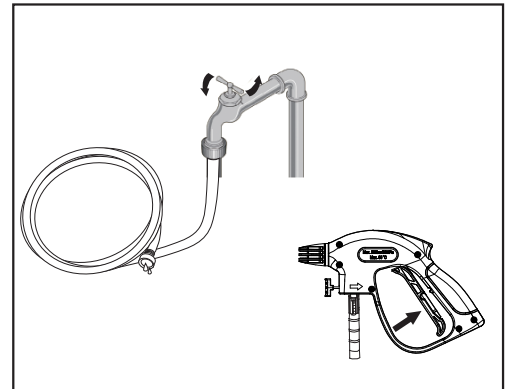


## CAUTION!

Do not run pressure washer with a damaged hose. Do not run pressure washer without first connecting and turning on water supply or damage to the pressure washer could result. FAILURE TO FOLLOW THESE INSTRUCTIONS WILL VOID PRODUCT WARRANTY.

## Purging the Pump of Air

- It is very important to purge the air out of the pressure washer pump before using it. To do this:
- Release trigger lock.
- Squeeze the spray gun trigger before turning on the electric supply. This removes any air trapped inside the pressure washer and spray nozzle before using it.
- Continue to hold trigger for approximately one minute to allow any excess air out of the unit. Water will flow out the spray gun at low pressure during this procedure.
- Release the trigger.
- Start pressure washer. It is now ready for operation.



## Starting Pressure Washer

- After connecting the pressure washer to a running cold water supply and purging the pump of air, proceed as follows:
- Place pressure washer on a level surface.
- Unwind the high pressure hose completely.
- Make sure the ON/OFF switch is in the "OFF" position.
- Complete Assembly Steps 2-5 (See pages 10-11)
- Completely open the water supply valve.
- While squeezing spray gun trigger, turn the ON/OFF switch "ON" by depressing the "ON" button.



## WARNING!

Point spray gun in a safe direction whenever turning power supply ON or OFF. Never direct water stream towards people or pets. Never touch nozzle or water spray while operating.

# OPERATION

## Stopping Pressure Washer

The pressure washer is equipped with an automatic stop to protect the motor when not in use. The pressure washer will only run when the power switch is in the "ON" position and the trigger on the spray gun is being squeezed.

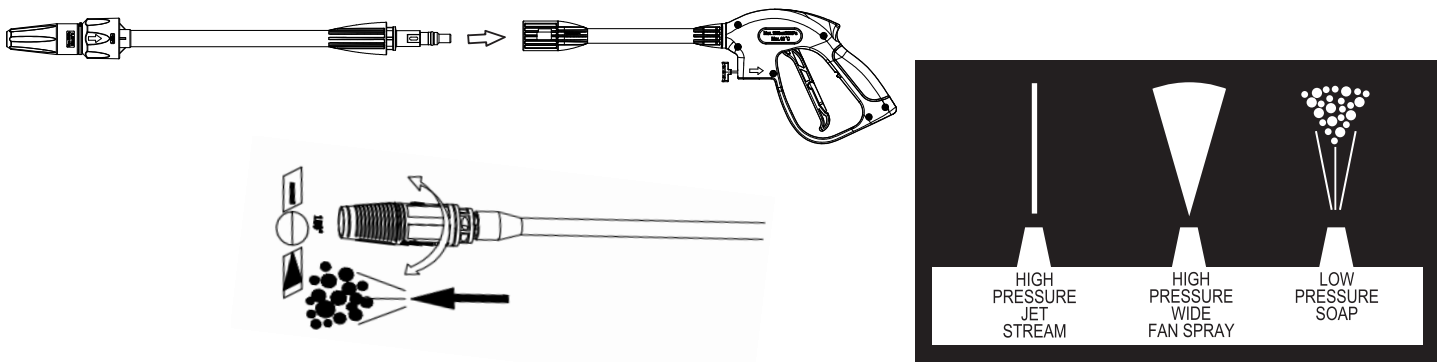
- For an emergency stop, simply release the trigger of the spray gun. Once you release the trigger of the spray gun, the motor on the pressure washer will automatically shut off.
- When the trigger is squeezed the motor will start up again.
- To stop using the pressure washer release the trigger of the spray gun and switch the ON/OFF switch to the "OFF" position. This unit should be turned completely "OFF" while not in use or while unattended.

## Spray Gun Safety Lock

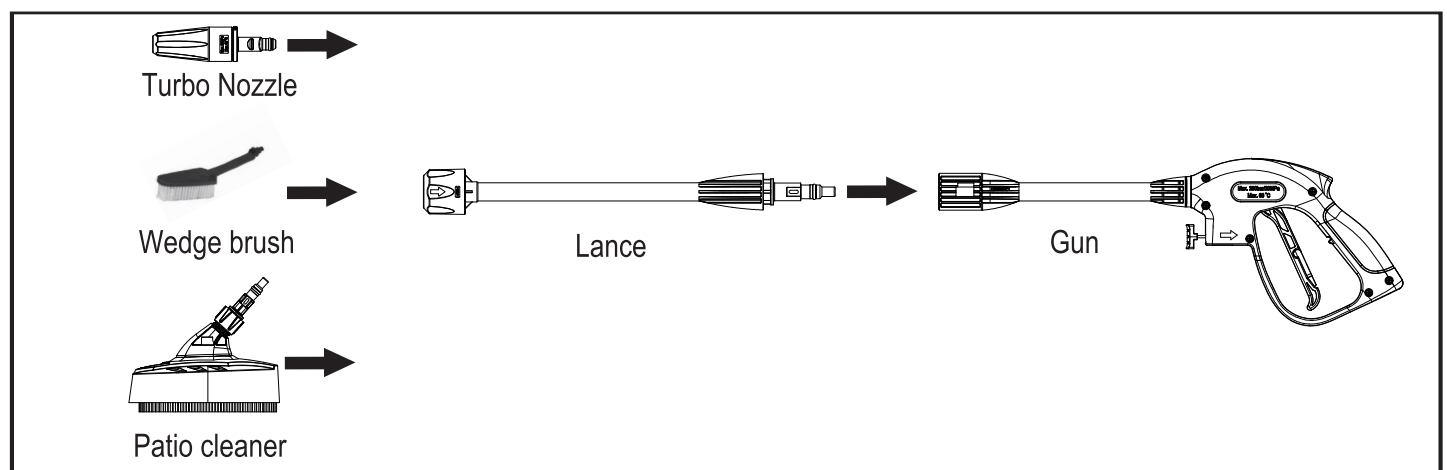
This pressure washer is equipped with a gun trigger safety lock. When not using the pressure washer, use the safety lock to protect from accidentally engaging the high pressure spray.

## Adjustable Spray Nozzle

The 3-in-1 adjustable spray nozzle allows you to use a variety of spray patterns ranging from a wide fan spray to a jet stream. When using this pressure washer on siding, decks, vehicles, etc., always start with the wide fan spray from a minimum distance of 3 feet away in order to avoid damaging the surface you are cleaning. Always begin by spraying a test area away from people, pets, and objects. Use a wider stream for general cleaning. This position is best for cleaning house siding, decks, garage floors, brick patios, and cement walkways. Use a narrow stream for removing paint, rust, mildew, marine growth off boats, or grease stains. This option can also be used for reaching second story surfaces, or for the removal of tar, gum, and other stubborn substances. Use extreme caution when using this position. For recommended spray stream and spray distance refer to "Cleaning Tips" on page 14.



To avoid damage, start cleaning surfaces with the wide fan spray from a minimum distance of 3 feet away.



# OPERATION

## Cleaning Tips



### WARNING!

Always test spray the area. Point the spray gun in a safe direction before turning the power supply "ON". Never direct water stream towards people or pets. Never touch nozzle or water spray while operating.

### Avoid Damaging Surfaces

Damage to a surface will occur if the impact force of the water pressure exceeds the durability of the surface you are cleaning. For example, paint can peel and wood can be penetrated. You can vary the force of the water pressure in the following ways:

- Adjusting the spray patterns ranging from a wide fan spray to a jet stream.
- Adjusting the distance between the spray nozzle and cleaning surface.
- Adjusting the spray angle to the surface being cleaned.

### Wood and Vinyl Decks

- Rinse area with fresh water.
- Apply detergent at low pressure cleaning small sections at a time.
- Do not allow detergent to dry.
- Rinse at high pressure using the fan spray.
- Keep the tip of the spray nozzle at least 6-9 inches from the cleaning surface. For softer woods, increase distance.
- Maintain a further distance when using a direct spray.

### Cement Patios, Stone, and Brick

- Rinse area with fresh water.
- Apply detergent at low pressure cleaning small sections at a time.
- Do not allow detergent to dry.
- Rinse at high pressure using the fan spray in a sweeping motion.
- Keep the tip of the spray nozzle at least 3-6 inches from the cleaning surface.
- Maintain a further distance when using a direct spray.

### Cars, Boats, and Motorcycles

- Rinse area with fresh water.
- Apply detergent at low pressure cleaning small sections at a time.
- Do not allow detergent to dry. For best results, only clean one side at a time.
- Rinse at high pressure using the fan spray in a sweeping motion.
- Keep the tip of the spray nozzle at least 8 inches from the cleaning surface.
- Maintain a further distance when using a direct spray.
- Wipe the surface dry for a polished finish.

### Barbecue Grills, Power Equipment, and Garden Tools

- Rinse area with fresh water.
- Apply detergent at low pressure cleaning small sections at a time.
- Do not allow detergent to dry.
- Rinse at high pressure using the fan spray in a sweeping motion.
- Keep the tip of the spray nozzle at least 1-3 inches from the cleaning surface.
- Maintain a further distance when using a direct spray.

# OPERATION

## Detergent Tank

When cleaning with the pressure washer, some cleaning tasks can be solved with water alone, but for most tasks it is advantageous to use a detergent. A detergent ensures a quick soaking of the dirt allowing the high pressure to penetrate and remove the dirt more effectively. The built-in detergent dispenser will allow you to apply liquid detergent to your work surface. Detergent should only be applied with the spray nozzle set to “Low Pressure Soap”. If the spray nozzle is set to a high-pressure mode, it will not dispense detergent. Do not add water to the detergent tank as the pressure washer will mix water with the detergent automatically. Only use detergents or soaps that are safe to be used with pressure washers.

## Adding Detergent



- Twist off the cover of the detergent reservoir.
- Fill the detergent tank with biodegradable detergents or soaps that are safe to be used with pressure washers. Do not add water to the detergent tank as the pressure washer will mix water with the detergent automatically.



**CAUTION!**

**Never use dish soap or laundry detergent which is too thick and will clog the nozzle of the detergent tank.**



**WARNING!**

**Only use detergents or soaps that are safe to be used with pressure washers. Chemicals which are caustic, such as acids or bleach, can result in serious injury, property damage, or death.**

## Using Detergents

- Rinse the surface with water before applying detergent.
- Set the adjustable spray nozzle set to “Low Pressure Soap”.
- To apply detergent, switch the ON/OFF switch to the “ON” position and squeeze the spray gun trigger.
- For best results use long, even, and overlapping strokes. Allow detergent to set for about 3 minutes before rinsing, but do not allow detergent to dry on surface or it may cause streaking or cause damage to the surface.
- Turn the adjustable spray nozzle to a high-pressure mode to rinse.
- To clean equipment after use, flush water through the spray nozzle for 1-2 minutes then shut off engine. Soak spray nozzle in a bucket of clean water to remove detergent.

## Rinsing with the Pressure Washer

- Adjust spray nozzle from “Low Pressure Soap” to an appropriate spray pressure as described earlier in this manual.
- Test a small area first to avoid surface damage.
- Rinse from top to bottom using long, overlapping strokes.



**CAUTION!**

**Damage may occur to painted surfaces if detergent is allowed to dry on the surface. Wash and rinse a small section at a time. Avoid working on hot surfaces or in direct sunlight.**

# OPERATION

## Moving the Pressure Washer

- Turn the pressure washer off.
- Tilt unit towards you until it is balanced on its wheels.
- Roll machine to desired location.

## End of Each Use

When you have finished using the pressure washer, follow these steps to shut down and store the unit:

- Turn the pressure washer off by depressing the “OFF” button.
- Unplug the machine and wind in the cord.
- Turn off the water supply.
- Point the spray gun in a safe direction and discharge any water remaining in the high pressure hose.
- After the high-pressure hose has drained, disconnect the garden hose from pressure washer.
- Drain the detergent tank and flush with running water.
- Remove any excess water from the pump by tipping the unit on both sides to drain the remaining water from the inlet and outlet fittings. Return the filter once it is cleaned.

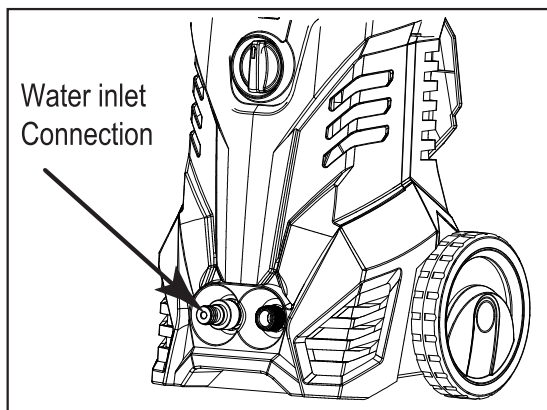
Using a pump protector and lubricant to protect the pump’s internal components is recommended. The pump protector products can be purchased at your local DIY or hardware store.

- Wipe up any remaining water from the pump and fittings.
- Engage the gun safety lock.
- Store pressure washer and its accessories in a dry, climate controlled area.

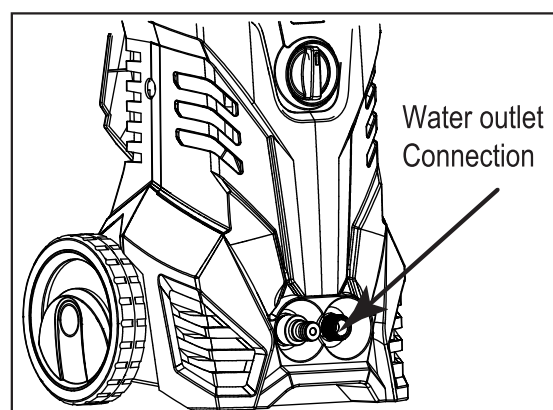


### CAUTION!

Never store the machine or its accessories in a place where the temperature could drop below 40°F. FREEZE DAMAGE IS NOT COVERED BY THE WARRANTY.



Garden Hose Connection



## Winterizing and Long-Term Storage

Follow section “End of Each Use” adding the following step:

After the water supply has been turned off and prior to disconnecting the high pressure hose, turn the pressure washer on for 2-3 seconds ONLY to remove any remaining water in the pump. Turn the unit “OFF” immediately!



### CAUTION!

Do not let the pressure washer run without water running through it as this can cause severe damage to this unit.



### CAUTION!

Failure to follow all of the “Winterizing and Long-Term Storage” instructions will cause damage to the pump assembly.



# MAINTENANCE

## Lubrication

This pressure washer is designed with a closed lubrication system. It is not necessary to check or add oil.

## Connections

Connections on pressure washer hoses, spray gun, and adjustable spray nozzle should be cleaned regularly with a lubricated non-water soluble grease to prevent leakage and damage to the O-rings. A thin layer of plumbers grease or O-ring lube is recommended. Dry O-rings can be damaged very easily when making connections.

## Accessories

Check all hoses and accessories for damage prior to use.



### WARNING!

**Never repair a high pressure hose or use unit if the hose is damaged. If the hose is damaged replace it with an identical Ford Power Equipment hose.**

## Water Intake Filter

Periodically check the Water Intake Filter for deposits. For maximum performance, clean this filter regularly.



### CAUTION!

**Failure to clean the Water Intake Filter will restrict the flow of water to the pressure washer and can damage the pump. Replace cleaned filter immediately to prevent foreign particles from entering the pump which could damage it.**

## Nozzles

The nozzles should be lubricated with non-soluble grease or light oil regularly. Clogging of the nozzle causes the pump pressure to build up too high and cleaning is immediately required. To clear blockage:

- Force a stiff wire (or an unfolded paper clip) through the center hole.
- Back flush the nozzle with water using a garden hose at the highest pressure available. Use a garden hose nozzle or your thumb to create enough water pressure for back flush.
- Restart the pressure washer and depress the trigger on the spray gun. If the pressure is still too high, repeat the first two listed steps.

# TROUBLESHOOTING

PROBLEM	CAUSE	SOLUTION
When the switch is in the "ON" position the machine will not start or it stops while operating.	<ol style="list-style-type: none"> <li>1. Power cord is loose or not plugged in</li> <li>2. Voltage is inadequate</li> <li>3. Faulty electrical socket</li> <li>4. Open motor circuit</li> <li>5. Spray gun trigger not operating properly</li> <li>6. Defective spray gun</li> </ol>	<ol style="list-style-type: none"> <li>1. Reconnect power cord</li> <li>2. Check that the voltage is adequate</li> <li>3. Check plug, socket and fuses</li> <li>4. Call Customer Service</li> <li>5. Call Customer Service</li> <li>6. Remove spray gun, aim water stream away from electric source and turn machine "ON". If machine starts, replace spray gun assembly by calling Customer Service.</li> </ol>
The circuit breaker trips or fuse is blown in fuse box	<ol style="list-style-type: none"> <li>1. Circuit is overloaded</li> <li>2. Nozzle is partially blocked</li> <li>3. Excessive pressure</li> </ol>	<ol style="list-style-type: none"> <li>1. Check that the circuit is rated 15 amps or greater</li> <li>2. Clean nozzle (See page 17)</li> <li>3. Clean nozzle (See page 17)</li> </ol>
The pump does not build maximum pressure or fluctuates	<ol style="list-style-type: none"> <li>1. Water supply is insufficient or restricted</li> <li>2. Water intake filter is clogged</li> <li>3. Diameter of hose is too small</li> <li>4. Suction valves are clogged or worn</li> <li>5. Excessive air in pump or waterline</li> </ol>	<ol style="list-style-type: none"> <li>1. Make sure water is fully on, check hose for kinks or leaks</li> <li>2. Remove and clean filter</li> <li>3. Replace to 1" garden hose</li> <li>4. Clean or replace valves</li> <li>5. Turn unit and water supply off. Tighten connections, bleed lines</li> </ol>
Pressure washer makes excessive noise	<ol style="list-style-type: none"> <li>1. Intake is blocked</li> <li>2. Valves are worn, dirty, or blocked</li> <li>3. Water intake filter is clogged</li> </ol>	<ol style="list-style-type: none"> <li>1. Check intake valves</li> <li>2. Check, clean, or replace valves</li> <li>3. Check, clean, or replace filter</li> </ol>
Spray gun trigger will not move	<ol style="list-style-type: none"> <li>1. Spray gun safety lock engaged</li> </ol>	<ol style="list-style-type: none"> <li>1. Release safety lock</li> </ol>
Unit will not stop when trigger is released	<ol style="list-style-type: none"> <li>1. Spray gun trigger system not operating properly</li> </ol>	<ol style="list-style-type: none"> <li>1. Call Customer Service</li> </ol>
Water leaks from the bottom of the pump	<ol style="list-style-type: none"> <li>1. A small amount of leakage is normal</li> </ol>	<ol style="list-style-type: none"> <li>1. If excessive leakage occurs, call Customer Service</li> </ol>